



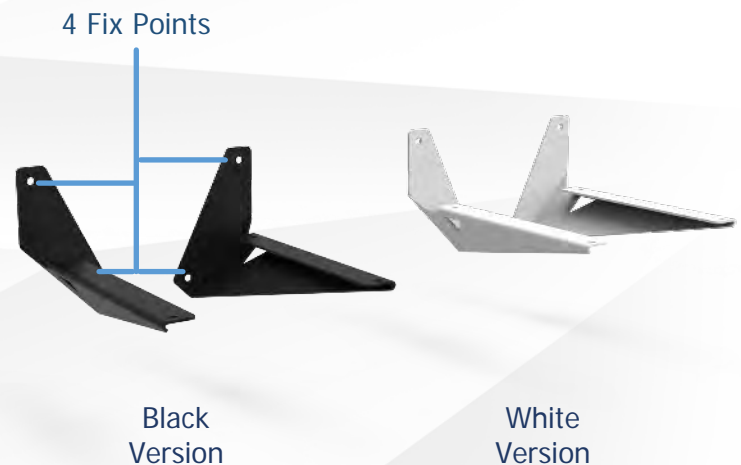
LEVANTE 250 BRACKETS

Additional Accessory

Wall
Installation
Kit

Application

LEVANTE 250 product has been designed for a variety of locations to be used in enclosed environments. Residential buildings. Offices, schools, nursing homes, hotels, and waiting rooms are just a few of many examples. The device can easily be placed on the floor or a table. However, due to limited space or maybe even for safety reasons, it would be ideal to have the LEVANTE 250 mounted on a wall. Custom designed wall brackets are compact, elegant, easy to install, and is a perfect fit for the LEVANTE 250.

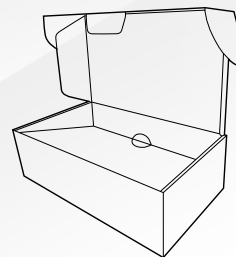


Black
Version

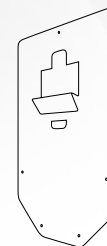
White
Version

Kit Contents

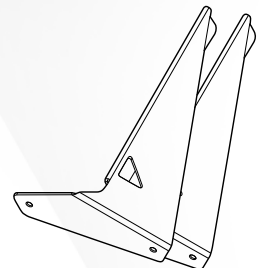
The Wall Installation Kit is supplied as an accessory for the LEVANTE 250. It is available in two colors. WHITE and BLACK match the already existing colors of the LEVANTE 250. The Kit includes two matt finished powder-coated brackets and a mounting template. The template provides mounting reference points and integrated level support. Text and images on the template identify the assembly instructions.



Product
packaging



Template with
assembling
instructions



2x powder-
coated
brackets

Simplified Mounting



4 fix points to
 LEVANTE 250
 product



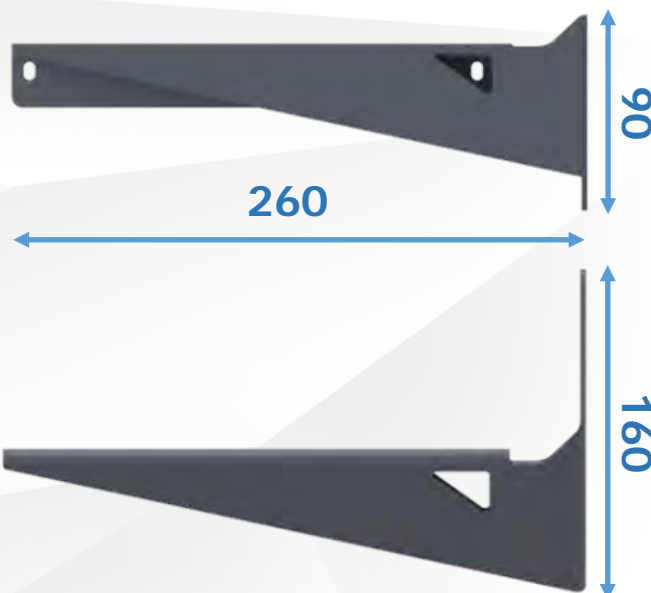
Features

- Pair of painted steel brackets
- Powder-coated finish
- 2 standard colors available (customizable colors upon request)
- Exclusive design for the LEVANTE 250
- 4 wall fixing points
- 4 fixing points at the base of LEVANTE 250
- Easy screwdriver access
- Screws and wall plugs not included
- Maximum dimensions (mm): (L) 260 x (W) 90 x (H) 160
- 2-year guarantee

made in Italy



LEVANTE 250
 not included



Available Colors

